

# Water Balloon Washout

It's a hot, sunny, summer day. Gather your friends. It's time for a Water Balloon Washout!

## Objective

The game is about a water balloon fight involving the neighborhood kids. Every player will control a number of kids in the fight. If all of a player's kids are knocked out, the player is eliminated. The game ends when only one player is left in the game.

## Components

16 Kid Cards, 74 Action Cards and these Rules.

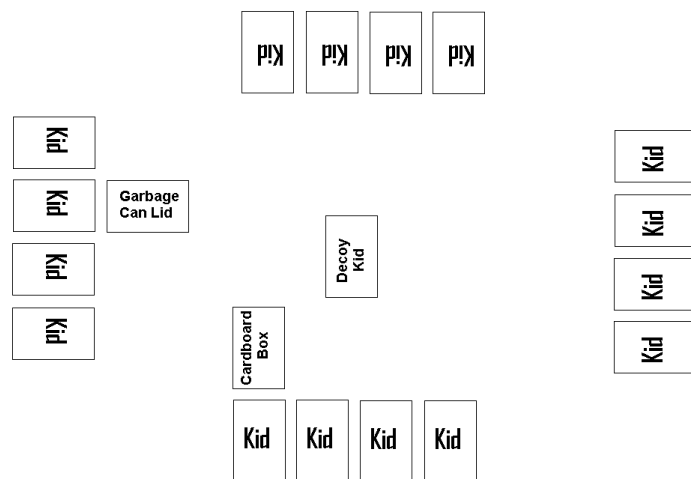
## Setup

For a 3-4 player game, each player is dealt 4 kid cards which are laid out in a row in front of them. With the "Dry" side face up. (See picture below.)

Players are each dealt 5 Action cards.

The youngest player goes first.

**NOTE:** In a 2 player game players are dealt 5 kid cards. The remaining cards are put away in the box.



## Playing the Game

The game takes place in turns. Beginning with the first player, the active player may play up to 2 cards from their hand or discard up to 2 cards from their hand, but can only do one of these. After this is done, the player draws back up to 5 cards and play passes clockwise to the player on the left.

## Water Cards

Whenever a kid is hit with a water card flip them over to the "Soaked" Side. If they are hit again while soaked, they are Washed out and eliminated from play.

## Defense Cards

These cards are placed out in front of the kid of your choice. (See picture below to the left.) They perform special defensive actions. Only 1 defense card may be placed in front of any kid at a time. These cards include Cardboard Box, Garbage Can Lid, Garbage can, etc.

## Utility Cards

These cards have varied effects including drying your kids, as well as bringing in reinforcements. These cards include, Kink in the Hose, Mega Splash, Big towel, Decoy Kid, etc.

## Credits

**Game Designer:** Jason Slingerland  
**Artwork:** Brendan Keough  
**Play Testers:** Stephanie Slingerland  
Amanda Harwood  
Jason Kniss  
Amanda Becker  
Beth & Bill Dietzel

Water Balloon Washout ©2013  
Imminent Entertainment All rights reserved.